



Connection system PLEXO

Features

- Universal applications thanks to the plug and socket connection method
- Quick and easy installation
- Easy to service and to maintain
- In system 27-1780-..../.... to be used in combination with heating cable HSB (Type 07-5803-....)

Description

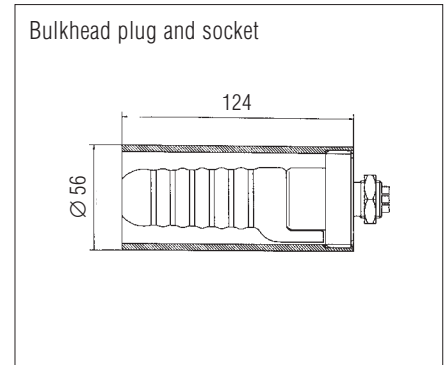
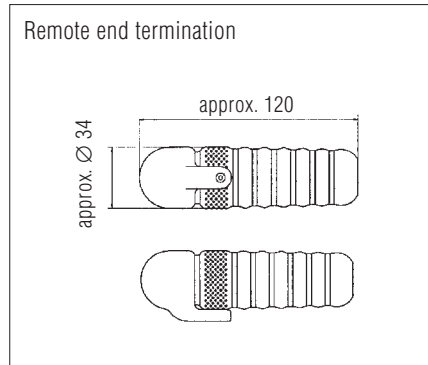
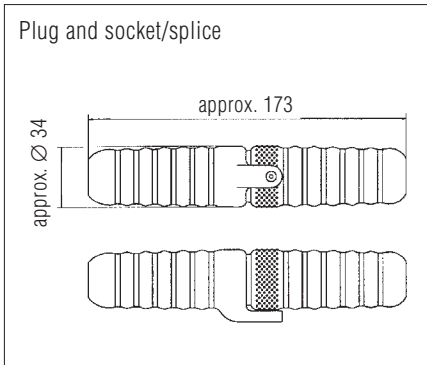
PLEXO is a plug & socket connection system for heating cables used in potentially explosive atmospheres. Installation time and expense are substantially reduced with this innovative method. Maintenance work or future modifications at the heating circuit can be carried out flexible.

The PLEXO connection system consists of a plug and socket. The heating cables and power supply connection cables are connected via safe spring-loaded terminals. The earth braid is connected via a metal disc with a spring creating the requisite pressure, eliminating any need for unravelling or twisting. A sophisticated sealing system offers safe and reliable protection against adverse weather conditions.

The flexibility of the system allows direct connection of the heating cable to a supply cable or an Ex junction box. A special connection sleeve is available for steel wire armoured (SWA) supply cables. Two similar heating cables can be joined to each other by means of a "splice" plug and socket connection sleeve. The heating tape remote end termination can be equipped with plug-in contacts for future extensions of the heating circuit.



Dimensions



Explosion protection

Ex protection type

- II 2G Ex e II 200 °C (T2), T3, T4
- II 2D Ex tD A21 IP 65 T 200 °C, T 195 °C, T 130 °C

Certifications System

KEMA 08 ATEX 0110
IECEX KEM 09.0083

Technical data

Ambient temperature allowed

min. (heating switched on) -60 °C
max. (heating switched on) +55 °C

Working temperature maximal

max. (heating switched on) +120 °C
max. (heating switched off) +160 °C

Protection class

IP 65

Min. installation temperature

-30 °C

Min. storage temperature

-60 °C

Supply voltage

AC 208 V up to AC 254 V
AC 110 V up to AC 120 V

Thermal rated current

20 A

Supply cable

cross section up to 4.0 mm²

Material

enclosure:
high-temperature thermoplast
seals:
silicone

Weights

Supply (Plug and socket) 200 g
Splice (Plug and socket) 240 g
End termination with plug in contacts 140 g
End termination without plug in contacts 55 g

Selection chart

Description	Short form title	Order no.
Connection for heating cables		
Supply cables Ø 6.0 to 10.0 mm	PLEXO H-CN	27-59SH-VH7P 10CN
Supply cables Ø 8.0 to 12.0 mm	PLEXO H-CW	27-59SH-VH7S 10CW
armoured cables Ø 12.0 to 16.0 mm	PLEXO H-CA	27-59SV-VH7V 10CA
bulkhead plug and socket M20	PLEXO B-H	27-59SG-VH70 10H0
Remote end termination for heating cables		
without plug-in contacts	PLEXO H-1S	27-59SK-VH70 101S
with plug-in contacts	PLEXO H-2S	27-59SL-VH70 102S
Heating cable plug and socket (splice)		
HSB - HSB	PLEXO H-S	27-59SJ-VH77 10S0
Connection cables		
Outer jacket reinforced, <i>for unprotected installation</i>		
Silicone-sheathed cable H05SS-F (EWKF)		
Cross section 3 x 1.5 mm ² ; Ø 8.0 x 9.0 mm		02-4034-0008
Cross section 3 x 2.5 mm ² ; Ø 10.1 x 11.1 mm		02-4035-0002