



Radiator HCL

Features

- Various compact types of construction, therefore favourable mounting dimensions
- High heating capacity
- Integrated antifreezing protection device in the connection cable
- Large, black anodized convector surface
- Ready for connection, maintenance-free

Description

BARTEC compact radiators are used as anti-freezing and anticondensate heaters in potentially explosive areas. Their use guarantees maximum operating safety, since temperature fluctuations are effectively prevented or the required minimum temperatures are maintained.

They reliably ensure that no malfunctioning through leakage current in electrical components, or other disturbances through corrosion formation on mechanical installation parts, can occur.

Places of use include switch and control cabinets, transmitter protective boxes, measuring equipment, analytical cabinets for sample preparation etc.

Function

The thermostat located in the connection cable keeps the inside temperature in the required range and reliably prevents overshooting the permissible ambient temperature of the heater.

In order to prevent accumulation of heat the specified fitting distances must be observed. Do not cover the fins, in order that free convection is not hindered. For applications involving higher holding temperatures, please contact us.

Construction

The radiators are fitted with a constant ohmic resistance. Through the special construction of the aluminium profile a chimney effect is produced which gives a uniform temperature distribution in the interior of enclosures and cabinets.

In case of overheating, the heaters are permanently isolated from the mains supply, since the heat source is coupled with a temperature safety fuse.



Explosion protection

Ex protection type

- II 2G Ex d IIC or dm IIC T4, T3
- II 2D Ex tD or tDmD A21 IP 65
T 135 °C, T 200 °C

Certification

PTB 03 ATEX 1139 X

Technical data

Protection class

IP 65, NEMA 4

Application temperature range

-50 °C up to +80 °C

Ambient temperature range

-50 °C up to +60 °C

Nominal voltage

AC 230 V

Connection

Hose line
EWKF 3 x 1.5 mm²; ∅ 8.1 mm; length 3 m

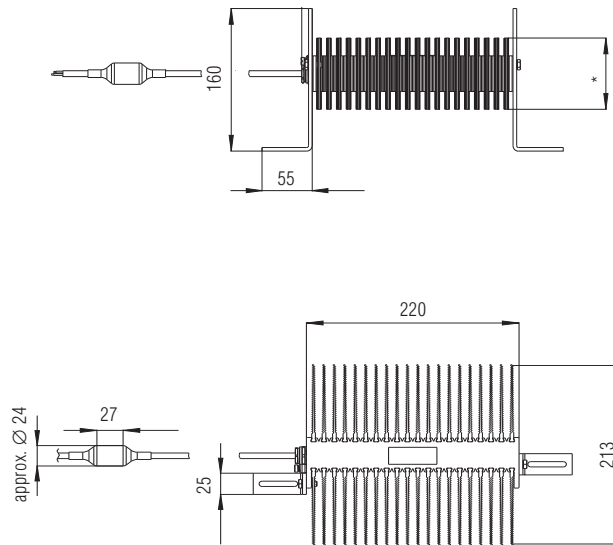
Mounting position

Vertical flow through fins

Material

black anodized aluminium
resistant to sea water

Dimensions



Selection chart

Designation	Nominal power	Version	Dimensions in mm (length x width x height)	Temperature class	Order no.
HCL 300-T4-10-3	300 W	with antifreezing protective device	220 x 213 x 80	T4	27-2263-4730/B300
HCL 600-T3-10-3	600 W		220 x 213 x 120	T3	27-2261-4760/B312