



## Process Monitor PM 420<sup>ex</sup>

### Features

- Version in Ex i
- Five-digit transreflective graphics display
- No additional voltage supply needed
- Bar graph capability

### Description

The process monitor is a 5-digit intrinsically safe display unit.

It can be used to show electricity flowing out of a 4 mA up to 20 mA field circuit into technical units.

No additional voltage supply or battery is needed for operation.

### Explosion protection

#### Ex protection type

II 2(1)G Ex ia ib IIC T5

#### Certification

IBEXU 09 ATEX 1095 X

#### Ambient temperature

-20 °C ≤ T<sub>a</sub> ≤ +60 °C

#### Safety related data

U<sub>i</sub> ≤ 30 V DC

I<sub>i</sub> ≤ 100 mA

L<sub>i</sub> ≤ insignificant

C<sub>i</sub> ≤ 12 nF

### Technical data

#### Structure

front-panel fitting

#### Enclosure material

high-quality thermoplastics

#### Protection class

front installation IP 40  
terminals IP 20

#### Display

Type height 13 mm

#### Connecting terminals

2,5 mm<sup>2</sup>, fine-stranded

#### Storage temperature

-40 °C up to +80 °C

#### Dimensions (width x height x depth)

96 mm x 48 mm x 82 mm

#### Wall cut-out

91 mm x 44 mm + 0,5 mm

#### Weight

120 g

#### Electrical data

#### Measuring range

4 up to 20 mA

#### Measured variable

Current

#### Error of indication

< 0.1 % of the display range

#### Temperature drift

< 0.01 %/K

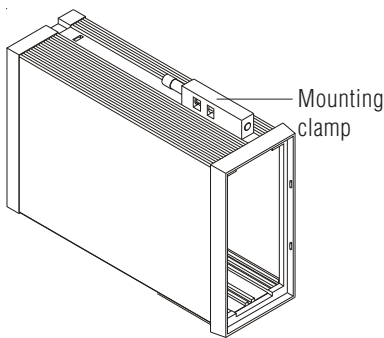
#### Background lighting

on request

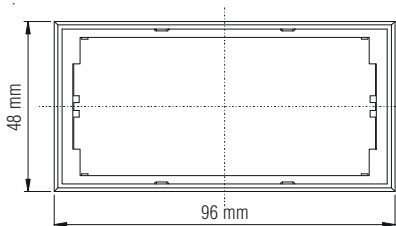
### Order no. 17-71MM-1002

Technical data subject to change.

### Mounting



### Dimensions/mounting positions



Depth: 82 mm

Input mode unit			
Parameter	Unit	Parameter	Unit
0	°C	13	t
1	A	14	pH
2	mA	15	ppm
3	V	16	rpm
4	mV	17	mbar
5	n	18	bar
6	mm	19	kPa
7	cm	20	1/min
8	m	21	μS/cm
9	km	22	mS/cm
10	m <sup>3</sup>	23	m <sup>3</sup> /h
11	%	24	Nm <sup>3</sup> /h
12	kg		