



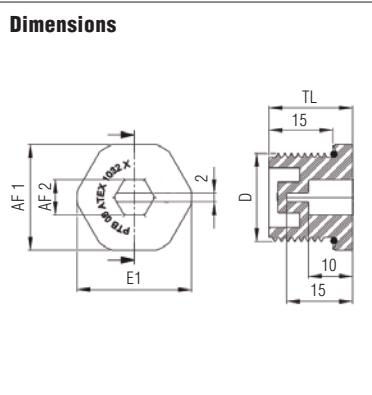
Screw plugs

Description

Screw plugs for closing unused boreholes in enclosures for the hazardous area in accordance with EN 60079-0 and EN 60079-7.

For assembly purposes the outer shape and internal recess of the screw plug head are hexagonal.

Dimensions



Explosion protection

Ex protection type

- Ex II 2G Ex e II
Ex II 2D Ex tD A21 IP 68

Certification

PTB 06 ATEX 1032 X

Technical data

Protection class

IP 68

Material

- Body: polyamide
O-ring: EPDM
Operating temperature: -40 °C to +75 °C
Colour: black

Selection chart

Table with 7 columns: D (mm), AF* 1 (mm), AF* 2 (mm), E1 (mm), TL (mm), Nm, Order no. and 9 rows of data for various screw sizes from M12 to M63.

*AF = Across flat

Technical data subject to change without notice.