



Mini-terminal

Features

- Multi-conductor connection max. 2 x 1 mm²
- Operating temperature -55 °C to +120 °C
- Extremely robust
- Tried and tested a million times over
- For base and rail mounting
- Bridging is possible
- Clip-on markers

Description

Ex e I/II mini-terminal

The mini terminal allows conductors to be connected in hazardous areas.

In order to protect from mechanical damage, touch, dust and moisture, Ex terminals must be installed in increased safety type "e" enclosures. BARTEC mini-terminals are available as 2 and 3-pole terminals which can be mounted in a row.

The clearances and creepage distances allow the terminals to be mounted directly on metal.

Each individual terminal pole is marked with a number or symbol by a clip-on label.

2 and 3-pole bridges are available for cross connection terminals.

Ex I/II mini-terminals for intrinsically safe circuits

The design of the blue mini-terminal is the same as that of the Ex e I/II mini-terminal and is tested in the same way, too.

➔ Explosion protection

Ex protection type

- ⊕ II 2G Ex e II
- ⊕ I M2 Ex e I

Certification

PTB 99 ATEX 3117 U
IECEX PTB 07.0007 U, Ex e II, Ex e I
CSA 2314224

Min. ambient temperature

-55 °C

Max. operating temperature

+120 °C

➔ Technical data

Rated voltage

max. 440 V (UL: 300 V)

Rated current

max. 23 A (UL: 16 A)

Rated cross-section

2.5 mm² (single-, fine- and multi-stranded)
(UL: AWG 24 - 14)

Connection of several conductors of the same cross section and type

max. 2 x 1 mm²

Operating temperatures without bridges

-55 °C to +120 °C

Operating temperatures with bridges

-20 °C to +120 °C

Material

Insulation	duroplast
Terminal	copper alloy

Bridge

2 and 3-pole bridge

Labelling

plug-in label

Weight

2-pole: 13 g
3-pole: 19 g

Mounting

BARTEC mounting rail or base of enclosure

Contact spacing

11 mm

Tightening torque for clamp screw

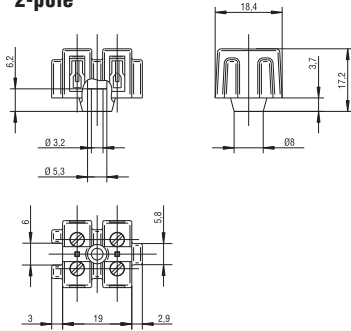
(EN 60999-1: 2000, TAB 4, III)

für clamp screw = 0.4 Nm
(UL: 3.5 lb. in.)

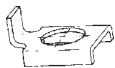
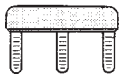
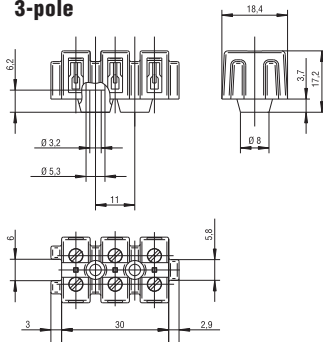
for screw and washer assembly
for fixation = 0.6 Nm
(UL: 5.3 lb. in.)



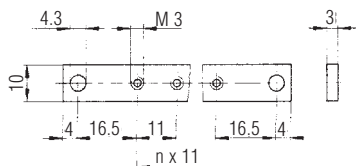
2-pole



3-pole



Similar to DIN EN ISO 1207
(DIN 84)



Selection chart

		➔ Order no.
Mini terminal 2-pole, Ex e, grey		07-9702-0220/1
Mini terminal 2-pole, blue		07-9702-0220/2
Mini terminal 3-pole, Ex e, grey		07-9702-0320/1
Mini terminal 3-pole, blue		07-9702-0320/2
2-pole bridge		05-0120-0004
3-pole bridge		05-0120-0005
Rotation stop for base mounting required when a single 2-pole terminal is mounted		05-0010-0002
Rotation stop for rail mounting required when a single 2-pole terminal is mounted		05-0106-0015
Label not printed printed 0-99, A-Z, symbols on request 1 unit = 100 labels with the same markings		05-1144-0001 05-1144-0002
Screw combination, M3 unit 100 pieces	<i>l</i> = 11 mm <i>l</i> = 12 mm <i>l</i> = 15 mm	03-1830-0001 03-1830-0004 03-1830-0005
Mounting rail 3 x 10 mm or 5 x 10 mm		on request