

*Polyester cabinets/-distribution boxes with door*

**Description**

BARTEC offers nine different types of polyester enclosures with door as distribution boxes for Ex e. The enclosures safely protect against mechanical stress and resist even the most extreme environmental conditions. (Supplied with steel sheet mounting panel).

**Components**

Rail-mounted terminals, terminal markers, cable glands, mounting panels, rails, labels

**Installation instructions**

The installer must make sure that the enclosure used is suitable for the corresponding field of application. This means that the marking must correspond to the classification of the Ex area. Also must the temperature class of the distribution box meet the respective requirements.

Empty Ex-enclosure	07-5187-.../...
Ex e distribution box	<b>black</b> 07-5109-.../...
Ex i distribution box	07-5110-.../...

**Explosion protection**

**Ex protection type**  
(according to EN 60079-0)

II 2G Ex e II T6 or T5  
II 2G Ex [ia/ib] IIC T6 or T5

**Ambient temperature**  
(special temperature range on request)

-20 °C to +40 °C

**Certification**  
(further certifications on request)

Distribution box: PTB 08 ATEX 1066  
POCC SI.ME 92.BO1671  
RTN PPC 00-33604

**Technical data**

**Material**

glass-fibre reinforced polyester enclosure with hinged door, EN 50014  
surface resistance < 10<sup>9</sup> Ω,  
steel sheet mounting panel, RAL 2000

**Colour**

RAL 9005, black

**Door lock**  
(other models on request)

double way cam lock

**Standard seals**

foamed PU seal  
-20 °C to +80 °C

**Mechanical resistance**  
(according to EN 50014)

impact energy 7 Nm

**Protection class** EN 60529/IEC 60529  
EN 60079-0

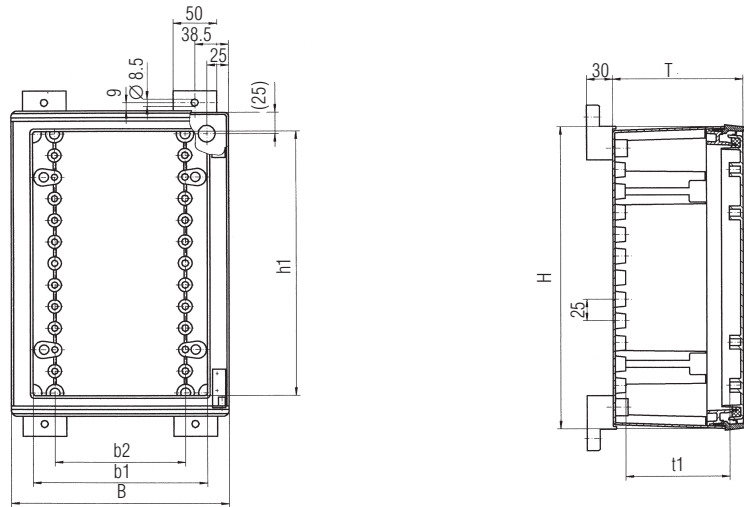
IP 66  
(07-5187-8000/0130 in IP 56)

**Selection chart**

External dimensions in mm			Empty Ex enclosure	Ex e distribution box	Ex i distribution box
Length (L)	Width (B)	Height (H)	➔ Order no.	➔ Order no.	➔ Order no.
200	300	150	<b>07-5187-2003/0015</b>	<b>07-5109-2003/0015</b>	<b>07-5110-2003/0015</b>
250	350	150	<b>07-5187-2503/5015</b>	<b>07-5109-2503/5015</b>	<b>07-5110-2503/5015</b>
300	400	200	<b>07-5187-3004/0020</b>	<b>07-5109-3004/0020</b>	<b>07-5110-3004/0020</b>
400	400	200	<b>07-5187-4004/0020</b>	<b>07-5109-4004/0020</b>	<b>07-5110-4004/0020</b>
400	600	200	<b>07-5187-4006/0020</b>	<b>07-5109-4006/0020</b>	<b>07-5110-4006/0020</b>
600	600	200	<b>07-5187-6006/0020</b>	<b>07-5109-6006/0020</b>	<b>07-5110-6006/0020</b>
500	500	300	<b>07-5187-5005/0030</b>	<b>07-5109-5005/0030</b>	<b>07-5110-5005/0030</b>
600	800	300	<b>07-5187-6008/0030</b>	<b>07-5109-6008/0030</b>	<b>07-5110-6008/0030</b>
800	1000	300	<b>07-5187-8000/0130</b>	<b>07-5109-8000/0130</b>	<b>07-5110-8000/0130</b>



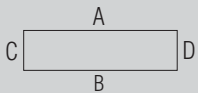
Dimensions



Selection chart Polyester enclosure with door

Dimensions in mm								➔ Order no.
Width (B)	Height (H)	Depth (T)	b1	h1	t1	b2	Weight in kg	
200	300	150	140	256	130	100	3.7	<b>07-5187-20030015</b>
250	350	150	190	306	130	150	4.6	<b>07-5187-25035015</b>
300	400	200	240	355	180	200	6.0	<b>07-5187-30040020</b>
400	400	200	340	354	180	300	6.5	<b>07-5187-40040020</b>
400	600	200	340	554	180	300	11.5	<b>07-5187-40060020</b>
500	500	300	440	454	280	400	12.9	<b>07-5187-50050030</b>
600	600	200	540	554	180	500	15.9	<b>07-5187-60060020</b>
600	800	300	485	753	280	500	24.3	<b>07-5187-60080030</b>
800	1000	300	685	953	280	700	30.0	<b>07-5187-80000130</b>

Cable glands/maximum number



The following table applies to polyester enclosures/distribution boxes with door

Empty Ex enclosure black 07-5187-.../...  
 EEx e distribution boxes black 07-5109-.../...  
 EEx i distribution boxes black 07-5110-.../...

Article no.	Side	Cable glands/maximum number										
		M 12 x 1.5	M 16 x 1.5	M 16 x 1.5	M 20 x 1.5	M 20 x 1.5	M 25 x 1.5	M 32 x 1.5	M 40 x 1.5	M 50 x 1.5	M 63 x 1.5	
07- [ ] [ ] [ ] -2003/0015	A/B	24	18	12	8	8	2	2	2	2	-	
	C/D	24	18	6	4	4	2	-	-	-	-	
07- [ ] [ ] [ ] -2503/5015	A/B	32	24	18	12	12	4	2	2	2	-	
	C/D	32	24	12	8	8	2	2	2	2	-	
07- [ ] [ ] [ ] -3004/0020	A/B	60	50	32	32	24	12	8	4	4	2	
	C/D	60	50	24	24	24	12	4	4	4	2	
07- [ ] [ ] [ ] -4004/0020	A/B	96	70	48	40	40	24	12	8	8	4	
	C/D	60	50	24	24	24	12	4	4	4	2	
07- [ ] [ ] [ ] -4006/0020	A/B	96	70	48	40	40	24	12	8	8	4	
	C/D	120	90	56	52	44	24	12	10	10	4	
07- [ ] [ ] [ ] -6006/0020	A/B	156	110	80	72	64	36	20	16	16	6	
	C/D	120	90	56	52	44	24	12	10	10	4	
07- [ ] [ ] [ ] -5005/0030	A/B	220	162	128	112	98	50	36	18	18	12	
	C/D	165	126	80	72	63	30	16	12	12	9	
07- [ ] [ ] [ ] -6008/0030	A/B	286	198	160	144	112	60	40	24	24	18	
	C/D	308	234	168	152	112	60	36	21	21	21	
07- [ ] [ ] [ ] -8000/0130	A/B	308	234	160	144	112	60	40	24	24	18	
	C/D	418	306	216	200	154	90	52	33	33	27	

Each enclosure side wall has only a limited number of gland entries to ensure the mechanical stability of the enclosure.