



Cable gland

Description

The cable gland made of polyamide is used for inserting permanent cables and leads into electrical equipment with the increased safety "e" type of explosion protection. The cable glands conform to the protection class IP 66/68.

For intrinsically safe circuits the cable entries are available with a blue cap nut.

When this cable gland is used, the instructions given in the type examination certificate/operating instructions must be observed.

Explosion protection

Ex protection type

- ⊕ II 2G Ex e II
- ⊕ II 2D Ex tD A21 IP 68

Certification

PTB 05 ATEX 1068 X

Operating temperature

-40 °C to +75 °C

Technical data

Material

Polyamid, self-extinguishing

Seals

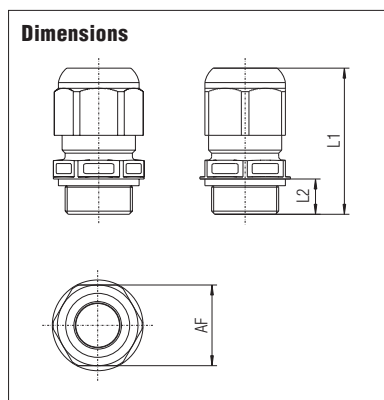
EPDM

Colour

RAL 9005, black
RAL 5015, blue

Protection class (EN 60529)

IP 66/IP 68



Selection chart

Thread size	Cable range (∅)	Across flat (AF)	Thread length (L2)	Length in mm (L1)	Unit	Order no.
Cable gland Ex e, black						
M12 x 1.5	3 - 6	16	15	35 - 45	50	03-6062-0137
M16 x 1.5	4 - 9	20	9	31 - 37	50	03-6062-0126
M20 x 1.5	6 - 13	24	10	36 - 45	50	03-6062-0127
M25 x 1.5	7 - 12	29	10	38 - 47	50	03-6062-0128
M25 x 1.5	10 - 17	29	10	38 - 47	50	03-6062-0136
M32 x 1.5	13 - 21	36	12	42 - 51	25	03-6062-0129
M40 x 1.5	17 - 28	46	12	52 - 65	10	03-6062-0130
M50 x 1.5	23 - 35	55	14	59 - 72	5	03-6062-0125
M63 x 1.5	31 - 48	68	15	64 - 78	1	03-6062-0131
Cable glands Ex e black, with long connection thread on request.						
Cable gland Ex i, with blue cap nut						
M12 x 1.5	3 - 6	16	15	35 - 45	50	03-6065-0074
M16 x 1.5	4 - 9	20	9	31 - 37	50	03-6065-0066
M20 x 1.5	6 - 13	24	10	36 - 45	50	03-6065-0067
M25 x 1.5	7 - 12	29	10	38 - 47	50	03-6065-0068
M25 x 1.5	10 - 17	29	10	38 - 47	50	03-6065-0073
M32 x 1.5	13 - 21	36	12	42 - 51	25	03-6065-0069
M40 x 1.5	17 - 28	46	12	52 - 65	10	03-6065-0070
M50 x 1.5	23 - 35	55	14	59 - 72	5	03-6065-0071
M63 x 1.5	31 - 48	68	15	64 - 78	1	03-6065-0072