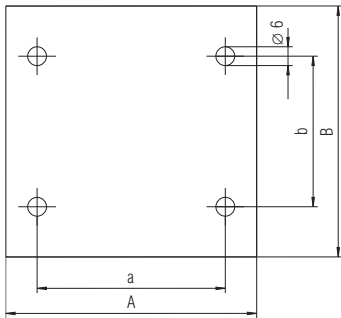




*Control stations  
in flameproof enclosures*

**Dimensions** Mounting plate



**Description**

The control stations in flameproof enclosure of the GUB series in compact design allow standard electronics and control components to be installed. The enclosure is light; numerous connection systems can be used; flanging is possible; can be equipped with electrical or mechanical bushings at the edges.

The GUB control stations can be applied in hazardous areas, Zone 1 and Zone 2 as well as in areas endangered by flammable dusts, Zone 21 and Zone 22.

**Explosion protection**

**Ex protection type**

- ⊕ II 2D Ex td A21 [ia]  
IP 66 T85 °C or 100 °C
- ⊕ II 2(1)G Ex de [ia] IIC T6 or T5

**Certification**

KEMA 08 ATEX 0123

**Technical data**

**Protection class**

IEC 60529  
max. IP 66

**Enclosure material**

copper-free aluminium pressure casting

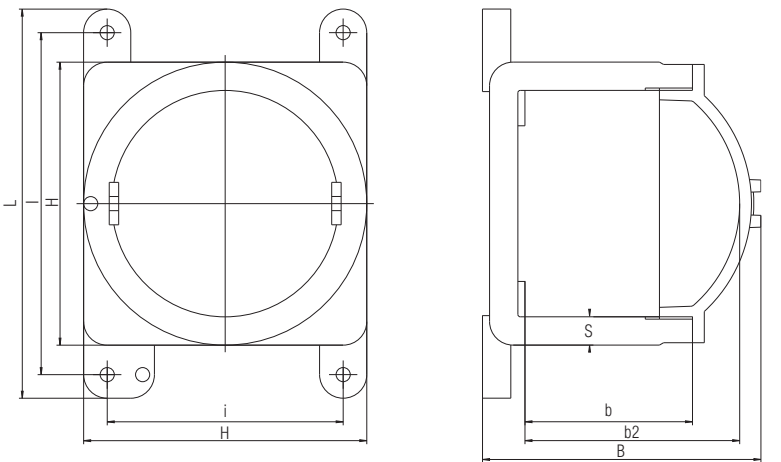
**Surface**

Acrylic varnish, similar to RAL 7016

**Electrical connection**

Directly through cable entry or cable gland or mounted Ex e enclosure

**Dimensions**





Enclosure										
Type	Order no.	Dimensions (mm)								Weight (kg)
		B	b	b2	H	l	i	L	S	
GUB	<b>07-4120</b>	116	81	91	120	145	100	165	12	1.6
GUB 0	<b>07-4140</b>	130	89	98	150	174	126	198	12	2.6
GUB 01	<b>07-4150</b>	139	99	108	174	195	150	218	12	3.6
GUB 02	<b>07-4160</b>	165	113	130	230	267	196	302	12	6.4
GUB 03	<b>07-4170</b>	217	158	181	276	316	236	356	12	11.4
GUB 04	<b>07-4180</b>	290	185	215	430	480	390	520	16	29.4

Mounting plate					
Type	Enclosure	A	B	a	b
GUB	07-4120	80	80	60	48
GUB 0	07-4140	100	100	80	60
GUB 01	07-4150	115	115	90	90
GUB 02	07-4160	150	150	130	130
GUB 03	07-4170	170	170	158	158
GUB 04	07-4180	270	270	230	230

Selection chart			
Enclosure size	Code no.	Cover variants	Code no.
120 x 120 GUB	<b>2</b>	closed	<b>1</b>
150 x 150 GUB 0	<b>4</b>		
174 x 174 GUB 01	<b>5</b>		
230 x 230 GUB 02	<b>6</b>	with window only for GUB 0, GUB 01, GUB 02, GUB 03	<b>7</b>
276 x 276 GUB 03	<b>7</b>		
430 x 430 GUB 04	<b>8</b>		

➔ **Complete order no.**      07-41  0-1  61  
Please enter code number. Technical date subject to change without notice.