



Ex signal horn

### Features

- Set in Zone 1 and 2, Zone 21 and 22
- Protection class IP 65
- Sound level 105 dB
- Temperature range -40 °C to +50 °C
- Easy to install

### Description

Machines and equipment are provided with acoustic warning and emergency devices for the protection of people and the environment. These devices signal hazardous situations and thus allow for instant safety measures to be taken.

BARTEC provides a loud signal horn with continuous tone in attractive design.

The device is suitable for applications in potentially explosive gas and dust atmospheres without further accessories.

The signal horn reliably warns against hazards in a wide temperature range of -40 °C up to +50 °C outdoors and indoors.

### Explosion protection

#### Ex protection type

- ⊕ II 2G Ex me II T5
- ⊕ II 2D IP 65 T 70 °C

#### Certification

BVS 05 ATEX E113 X

### Technical data

#### Dimensions

207 mm x 178 mm x 104 mm

#### Mounting dimensions

160 mm x 130 mm

#### Enclosure

PC

#### Connection

terminal screw max. 2.5 mm<sup>2</sup>

#### Cable entry

cable gland M16 x 1.5  
cable diameter 5 to 9 mm

#### Mounting

wall mounting and floor mounting

#### Electrical data

##### Rated voltage

see selection chart

##### Sound level

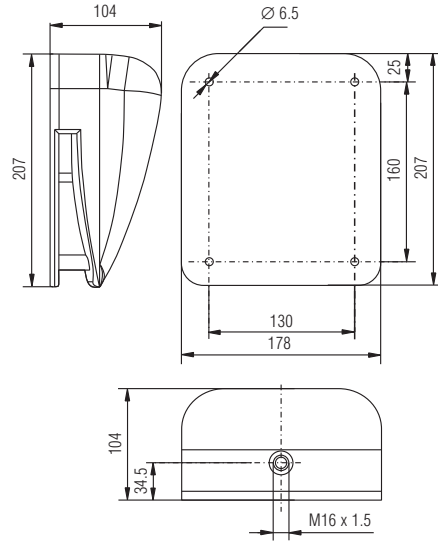
max. 105 db (A)

##### Type of tone

continuous tone



Dimensions in mm



Selection chart

Type	Rated voltage	Code no.
Ex signal horn	DC 24 V	1
	AC 24 V	2
	AC 42 V	3
	AC 115 V/120 V	4
	AC 230 V	5

➔ Complete order no. 07-4602-1

Please enter code number. Technical data subject to change without notice.