

### LWL T-coupler

#### Features

- Bridging of great distances
- Noise-immune signal transmission
- Galvanic isolation

#### Description

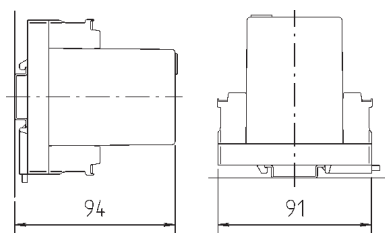
The RS485/PROFIBUS LWL T-coupler reroutes the PROFIBUS from copper conductors to optical waveguides. The LWL T-coupler is a passive bus participant.

In plants, the LWL T-coupler allows the bridging of great distance with PROFIBUS without noise interference.

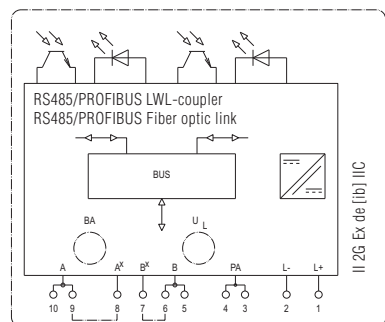
The electronics for the signal conversion are accommodated in the flameproof MODEX enclosure. Transmitter and receiver for the LWL-coupler are intrinsically safe headed.

The intrinsically safe control transmitter and receiver of the electronic system guarantee that the transmitter rate does not go beyond maximum value limits.

#### Dimensions



#### Wiring diagram/terminal assignment



#### Explosion protection

##### Ex protection type

II 2G Ex de [ib] IIC

##### Optical waveguide

##### Transmitter

II 2G Ex ib op is IIC T4

##### Receiver

II 2G Ex ib IIC T4

##### Certification

PTB 97 ATEX 1068 U  
TÜV 99 ATEX 1404 X  
Type 17-1923-1111/....

Further safety data see EC type examination certificate.

**Technical data****Construction**

Clip-on enclosure to TH 35

**Enclosure material**

High-quality thermoplastic

**Protection class**

minimum IP 20

**Terminals**2.5 mm<sup>2</sup>, fine stranded**Labelling**

front panel label for markings

**Display**

LEDs on front panel

**Storage temperature**

-40 °C to +70 °C

**Ambient temperature**

-25 °C to +60 °C

**Weight**

600 g

**Electrical data****Supply voltage**

DC 20 V to DC 30 V

**Power consumption dissipation** $P_v = 0.90 \text{ W}$ **Galvanic isolation**

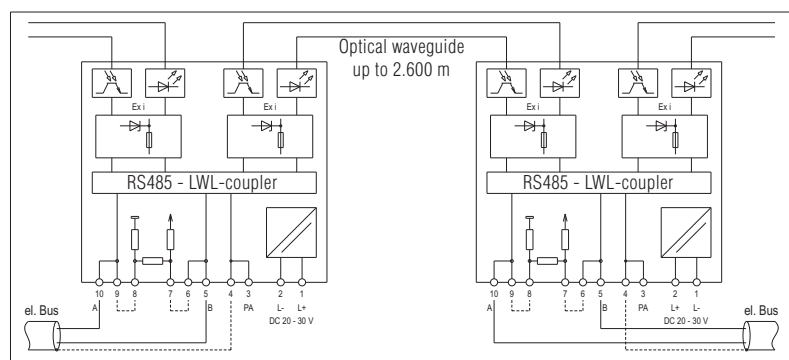
Bus//power supply//optical waveguide

**Bus input/output**

2-wire remote bus with screw terminals

**LWL input/output**FSMA LWL plug-in connectors or  
ST LWL plug-in connectors**Wavelength**

850 nm/glass

**Displays**operation LED green  
active bus LED yellow**Distance**1400 m; 50.0 µm fibre/glass  
2600 m; 62.5 µm fibre/glass**Guidelines/norms/certifications**Directive 2004/108/CE  
Directive 94/9/CE  
EN 60079-0: 2006  
EN 60079-1: 2004  
EN 60079-7: 2007  
EN 60079-11 2007  
EN 60079-28: 2007  
EN 61000-6-1: 2002  
EN 61000-6-3: 2005**Examples of LWL T-coupler****Order no. LWL T-coupler**

07-7311-97WP/4000

T-coupler

FSMA

07-7311-97WP/4010

T-coupler

ST

Technical data subject to change without notice.