



## Control and switchgear units with metal flameproof enclosures

### Description

These BARTEC enclosures offer a variety of options for control equipment in Ex areas. Flameproof enclosures in compliance standard with EN are available for electrical devices such as contactors, relays, barriers, electronic controllers and PLC-D/A-modules. BARTEC flameproof cable bushings are provided for cable interconnections between the Ex d & EEx e enclosures. Inside the Ex e enclosure the conductors are connected to Ex e terminal blocks. The pushbuttons, switches and LEDs are located on the cover of the EEx e enclosure.

### Explosion protection

#### Ex protection type max.

depends on the fitted components; observe the specifications on the type label

⊕ Ex II 2G Ex de ia/ib [ia] IIA, IIB, IIC  
T6, T5, T4

⊕ Ex II 2G Ex de ia/ib [ib] IIA, IIB, IIC  
T6, T5, T4

#### Certification

PTB 03 ATEX 1024

#### Ambient temperature

-20 °C to +40 °C

### Technical data

#### Power dissipation

max. 80 W to 1350 W  
(depends on the version and type of protection)

#### Protection class according to IEC 60529

IP 54 (IEC 60529)  
IP 66 on request

#### Rated cross-section of conductor

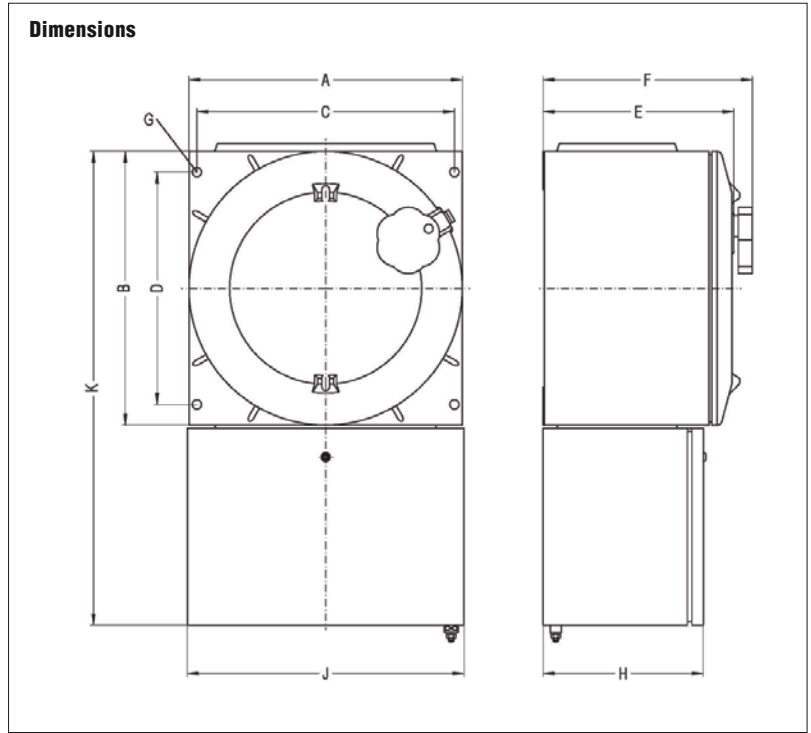
up to 300 mm<sup>2</sup>

#### Weight

approx. 8 kg to approx. 320 kg

#### Mechanical strength

Impact energy max. 7 Nm



**Selection chart (Dimensions in mm)**

A	B	C	D	E	F	G	H	J	K	Order no. <sup>1</sup>
210	210	187	145	180	203	2x ø14	128	216	450	<b>07-4310-046./....</b>
210	210	187	145	180	-	2x ø14	128	216	450	<b>07-4310-056./....</b>
320	320	295	255	180	203	2x ø14	128	326	634	<b>07-4320-046./....</b>
320	320	295	255	180	-	2x ø14	128	326	634	<b>07-4320-056./....</b>
320	320	295	255	300	329	2x ø14	252	326	634	<b>07-4340-046./....</b>
320	320	295	255	300	-	2x ø14	252	326	634	<b>07-4340-056./....</b>
430	430	405	365	300	329	4x ø14	252	326	744	<b>07-4350-046./....</b>
430	430	405	365	300	-	4x ø14	252	326	744	<b>07-4350-056./....</b>
650	650	600	505	480	517	4x ø24	252	345	1100	<b>07-4370-047./....</b>
650	650	600	505	480	-	4x ø24	252	345	1100	<b>07-4370-057./....</b>
430	650	405	505	300	329	4x ø14	252	326	964	<b>07-4380-046./....</b>
430	650	405	505	300	-	4x ø14	252	326	964	<b>07-4380-056./....</b>

<sup>1</sup> Version without inspection window.

If required, the enclosure can be supplied with an inspection window. (Please ask!)