



Selection chart



Wiring diagram	Description	Weight	➔ Order no.
	1 pushbutton 1 NO + 1 NC incl. labels red, green, yellow, white	0.33 kg	07-3511-10P74
	1 NOT/AUS Emergency Stop 1 NO + 1 NC marked NOT/AUS and Emergency-Stop	0.36 kg	07-3511-10N84
	1 Mushroom Keyswitch 1 NO + 1 NC with key to reset	0.40 kg	07-3511-10K34
	1 Selector switch 1 NO + 1 NC, 2 position with 2 stops 0 and I, latching	0.35 kg	07-3511-10S94
	1 Selector switch 1 NO + 1 NC, 3 position with 3 stops I - 0 - II, latching	0.35 kg	07-3511-10S04
	1 Selector switch 1 NO + 1 NC, 3 position with 3 stops I - 0 - II, momentary-contact	0.35 kg	07-3511-10S14
	1 Lamp red green yellow white	0.35 kg	07-3511-10LRR 07-3511-10LGG 07-3511-10LYY 07-3511-10LWW
	1 Mushroom Pushbutton, black 1 NO + 1 NC	0.35 kg	07-3511-10P84
	1 Keyswitch 1 NO + 1 NC lockable in both positions	0.40 kg	07-3511-10K04
	1 Keyswitch 1 NO + 1 NC lockable in the pushed-in-position	0.40 kg	07-3511-10K14
	1 Keyswitch 1 NO + 1 NC lockable in the initial position	0.40 kg	07-3511-10K24



Selection chart

Wiring diagram	Description	Weight	➔ Order no.
	<p>2 pushbuttons 1 NO + 1 NC each including key labels</p>	0.50 kg	07-3512-10P74P74
	<p>1 indicator lamp, 1 pushbutton with indicated lamp red green yellow white blue 1 NO + 1 NC</p>	0.52 kg	<p>07-3512-10LRRP74 07-3512-10LGGP74 07-3512-10LYYP74 07-3512-10LWWP74 07-3512-10LBPP74</p>
	<p>1 indicator lamp, 2 pushbuttons with indicated lamp red green yellow white 1 NO + 1 NC each</p>	0.70 kg	<p>07-3513-10LRRP74P74 07-3513-10LGGP74P74 07-3513-10LYYP74P74 07-3513-10LWWP74P74</p>
	<p>3 pushbuttons 1 NO + 1 NC each including key labels</p>	0.68 kg	07-3513-10P74P74P74
	<p>2 pushbuttons 1 emergency stop button 1 NO + 1 NC each</p>	0.70 kg	07-3513-10P74P74N84





ComEx control stations

Features

- 3 standard enclosures
- Easy to install
- Extremely flexible
- Customer-tailored solutions

Description

ComEx is a flexible system offering standard as well as customer-specific local control and indicating units.

You have the choice between three standard enclosures which can accommodate up to three different control and indicating devices. Combinations of up to three ComEx enclosures are possible.

Either stuffing box glands in M20 x 1.5 and M25 x 1.5 made of plastic or cable glands made of metal are available for the electrical connection.

The plastic glands require no lock nuts.

Metal glands are screwed into a metal earth plate sheet inside of the enclosure. Maximum amount of cable glands: two off M20.

To ensure easier operation on site, each enclosure can be equipped with an individual info-label.

For offshore applications special oil-resistant attachments are available.

Explosion protection

Ex protection type

- ⊕ II 2G Ex ed IIC T6
- ⊕ II 2D Ex tD A21 IP 67 T 80 °C

Class I, Zone 1 AEx ed IIC, Ex ed IIC
Class I, Division 2 Groups A, B, C, D
Ex ed IIC, T6

Certification

- PTB 00 ATEX 1068
- UL E184198
- IECEx PTB 08.0022
- INMETRO 2004 EC 02 CP003

Permissible ambient temperature

- 55 °C to +60 °C
- (-20 °C to +60 °C for Zone 21 and 22)

Technical data

Connection

Terminals 2.5 mm²

PE conductor terminals

4 x 2.5 mm²

Rated insulation voltage

max. AC 690 V

Nominal current

max. 16 A

Cable entry

- M 20 x 1.5 for cable Ø 6 to 13 mm
- M 25 x 1.5 for cable Ø 7 to 12 mm
- M 25 x 1.5 for cable Ø 13 to 21 mm

Enclosure

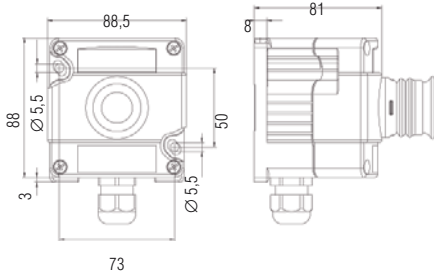
Thermoplastic

Protection class

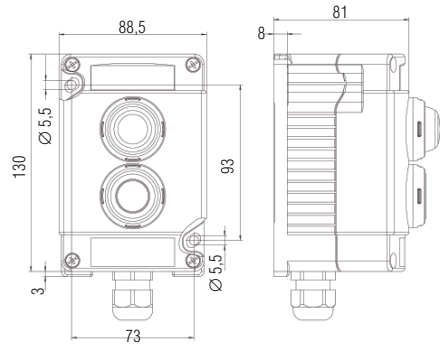
IP 66/IP 67



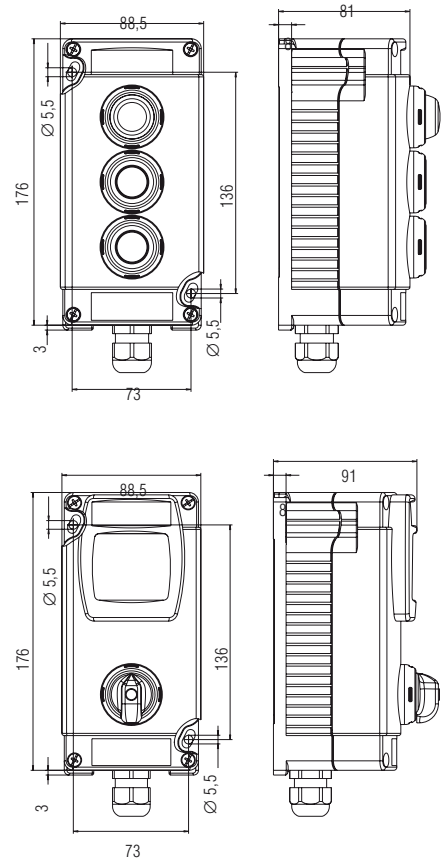
Control unit, single Type 07-3511-....



Control station, double Type 07-3512-....



Control station, triple Type 07-3513-....











Selection chart Actuator elements

Illustration	Description	Code no.	Illustration	Description	Code no.
	Pushbutton with rubber membrane and with five loose labels: red, green, yellow, white, black	P7		Lock (DOM) lockable in both positions, key retractable in both positions lock 4 A 185	K0
	Double pushbutton actuator with rubber membrane, 5 loose labels in red, green, yellow, white, black	P2		lockable in its depressed position, key retractable in its depressed position lock 4 A 185	K1
				lockable in its initial position, key retractable in its initial position lock 4 A 185 (tip lock)	K2
	Emergency Stop marked 'NOT-AUS EMERGENCY STOP'	N8		Lock (RONIS) lockable in both positions key retractable in both positions lock 445	K4
				Lock (RONIS) Lock 455	E0
	Locking mushroom push button pushed in without a key unlocked with a key DOM lock 4 A 185	K3		2 switching positions 0-I latching, key retractable	E1
				2 switching positions 0-I momentary contact, position I key not retractable	E2
				3 switching positions I-0-II latching on both sides, key retractable	
	Mushroom pushbutton, black	P8		Lamp red green yellow white blue	LR LG LY LW LB
				Illuminated button actuator red green yellow white blue	TR TG TY TW TB
	Position selector switch 2 positions, 0 + I latching	S9		Blanking plug black, to cover unused holes in the front panel	B1
				Position selector switch 3 positions I-0-II I + II latching I + II momentary-contact I latching, II momentary-contact I momentary-contact, II latching	S0 S1 S2 S3
	Potentiometer actuating element black, scale 1 - 10				D0



Selection chart Modules

Illustration	Description	Code no.
	Switch module 1 NC/1 NO 2 NC 2 NO	4 1 2
	Indicator light red green yellow white blue	R G Y W B
	Illuminated button red 1 NO green 1 NO yellow 1 NO white 1 NO blue 1 NO red 1 NC green 1 NC yellow 1 NC white 1 NC blue 1 NC	RB/RA GB/GA YB/YA WB/WA BB/BA RB/RA GB/GA YB/YA WB/WA BB/BA
	Potentiometer modul Resistance values 1 kΩ 2.2 kΩ 4.7 kΩ 10 kΩ	4 5 6 7
	Terminal block with 6 modular terminals 2.5 mm ² Ex e II	6
	Measuring instrument 1 A 03-9020-0024 5 A 03-9020-0025	MM1 MM5

➔ **Complete order no.**

Actuator element resp. Lamp module operator



Switch module resp. Indicator light or Terminal block



Measuring instrument



Please insert code number.

Control unit, single **07-3511-10**



Control unit, double **07-3512-10**



Control unit, double **07-3512-10**



Control unit, triple **07-3513-10**



Control unit, triple **07-3513-10**



Technical data subject to change without notice.