



Position switch



Features

- Dimensions and mounting dimensions according to DIN EN 50041
- Compatible with non-Ex DIN limit switches
- Different switching elements

Description

All dimensions and actuating elements of the Ex d position switch correspond to the DIN EN 50041 standard.

Its 30 x 60 mm mounting dimensions make the switch directly compatible to the position switch corresponding to the same DIN standard. The switch is equipped with snap-action contacts with several switching element versions. A micro-switch with connection cable Type 07-2511 is mounted as switching element.

Different actuators are available for the variety of actuating possibilities. After the removal of four screws these knobs can be rotated by 90 °C allowing so four different directions of actuation.

Gold-plated or gold-nickel contacts are available for the switching of low currents of voltages.

Standard length of the connection cables are 3 m.

BARTEC has designed a very extensive range of Ex e terminal boxes of polyester and aluminium for the connection of the position switch within the Ex area.

Explosion protection

Ex protection type

- Ex II 2G Ex d IIC T6
- Ex II 2D Ex tD A21 IP 66 T 80 °C

Installation

Type 07-2511

Certification

PTB 00 ATEX 1093 X
IBExU01ATEX1007 X
IECEx PTB 07.0045 X

Ambient temperature

-20 °C to +60 °C
(-55 °C to +90 °C on request)

Technical data

Protection class

IEC/EN 60529:IP 66

Electrical data according to DIN EN 60947-5-1

Rated operating voltage AC 400 V

Utilisation category

AC 15 2 A 400 V
DC 13 0.15 A 250 V

Isolation voltage 400 V

(further electrical data on request)

Electrical data

Nominal current

AC 2 A 400 V
AC 7 A 250 V
DC 0,5 A 250 V

(further electrical data on request)

Ambient temperature +40 °C		
Switching capacity AC		
	ohmic load	inductive load cosφ = 0.6
400 V	3 A	2 A
250 V	5 A	3 A
30 V	7 A	5 A

Schaltleistung bei DC		
	ohmic load	inductive load L/R = 3 µs
250 V	0.4 A	0.03 A
30 V	7 A	5 A

Switching elements

see table

Travels, forces

see table

Max. switching frequency

1 000 h

Mechanical life

max. 10⁶ switching cycles

depending on plunger operating speed and angle

Electrical life

dependent on load

Electrical connection

connection cable H05VV-F/A05VV-F

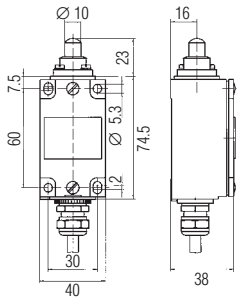
Enclosure material

aluminium

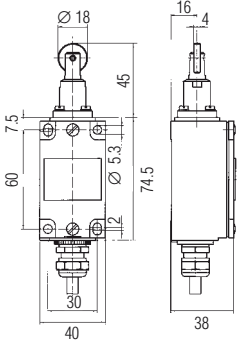


Dimensions*

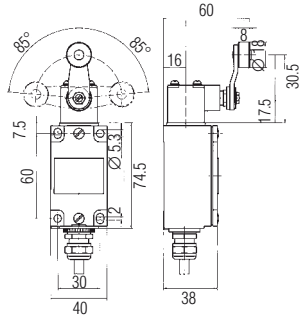
Plunger (Code no. 10)



Roll lever (Code no. 20)



Axle lever (Code no. 30)



Selection chart

Type of contact			Actuators					
Interrupter chamber 1	Interrupter chamber 2	Code no.	Max. operating force	Pretravel	Overtravel	Differential approx.	Max. plunger operating speed	Code no.
	—	10	17 N	1 mm	5 mm	0.4 mm	5 m/s	10
	—	20						
	—	30						
		11	17 N	1 mm	5 mm	0.4 mm	5 m/s	20
		22						
		21						
		33	other actuators on request					

() specification for cable tail

Complete order no.

Please enter code number.

07-2911-1 /

Special versions,
please specify clearly

- gold-plated contacts
- different ambient temperature

Length of connection cable

3 = 3 m
please specify other length in text, plain text
code no. **0**

*Dimensions for actuator are reference values