



Work light

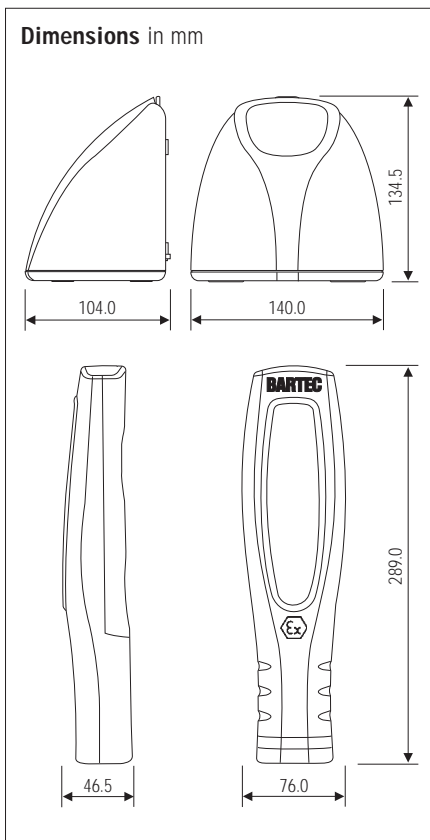
Features

- Rechargeable batteries
- High IP rating (IP 66)
- High luminosity
- Long service life

Description

This mobile LED work light with rechargeable battery technology serves to illuminate workplaces in hazardous environments.

The work lights can be used in hazardous areas in Zone 0, 1 and 2 in compliance with the gas-sub-groups IIA, IIB and IIC and the temperature class T4 as well as in Zone 20, 21 and 22 in conformance to the certified maximum surface temperature.



Order data

Work light with open swivel fixing hook
07-5051-3111-1000

Work light with closed swivel fixing hook
07-5051-3111-2000

Work light

Explosion protection

Ex protection type and Certification

- Ex II 1G Ex ia op is IIC T4
- Ex II 1D Ex iaD 20 T 100 °C
- IBExU 09 ATEX 1087

- Ex ia IIC T4
- Ex iaD 20 T 100 °C
- IECEx IBE 09.0012

CE 0044

Approved for all Zones
0/20

Technical data

Ambient temperature for operation

-20 °C to +60 °C

Ambient temperature for storage and transport

-25 °C to +70 °C

Illuminance

> 600 lux with 30 high-power LEDs

Light duration

> 6 hours in continuous operation

Protection class

IP 66 in conformance to IEC 60529

Weight

615 g

Charging station including power pack

Explosion protection

Restriction

may not be used in a hazardous environment

Technical data

Supply voltage

- AC 200 V to 250 V
- DC 12 V to 24 V

Type of connection

- AC/DC adapter
- plug-in charger

Power consumption

AC 16 W, DC 12 W

Ambient temperature for operation

0 °C to +40 °C

Ambient temperature for storage and transport

-25 °C to +75 °C

Charging duration

max. 3 hours to 100% loading,
80% after one hour

Weight

(charging station incl. power supply unit)
425 g